

# LUBRICATION

## ORDER

# L05-4310-275-12

12 FEBRUARY 1971 (Supersedes L05-4310-275-12, dtd 14 Oct 1968)

### COMPRESSOR, RECIPROCATING, G.E.D., 2 WHEEL MTD. PNEUMATIC TIRES, W/TOWBAR, LUNETTE EYE, 4CFM, 3000PSI (STEWART-WARNER MODEL 43040-301-01)

Reference: L05-2805-257-12, and C9100-IL

Intervals are based on normal hours of operation. Adjust to compensate for abnormal operation and severe conditions. During inactive periods, sufficient lubrication must be performed for adequate preservation.

Clean fittings before lubricating.

Relubricate after washing or fording.

Clean parts with SOLVENT, dry-cleaning, or with OIL, fuel, Diesel. Dry before lubricating.

Lubricate points indicated by dotted arrow shafts on both sides of equipment.

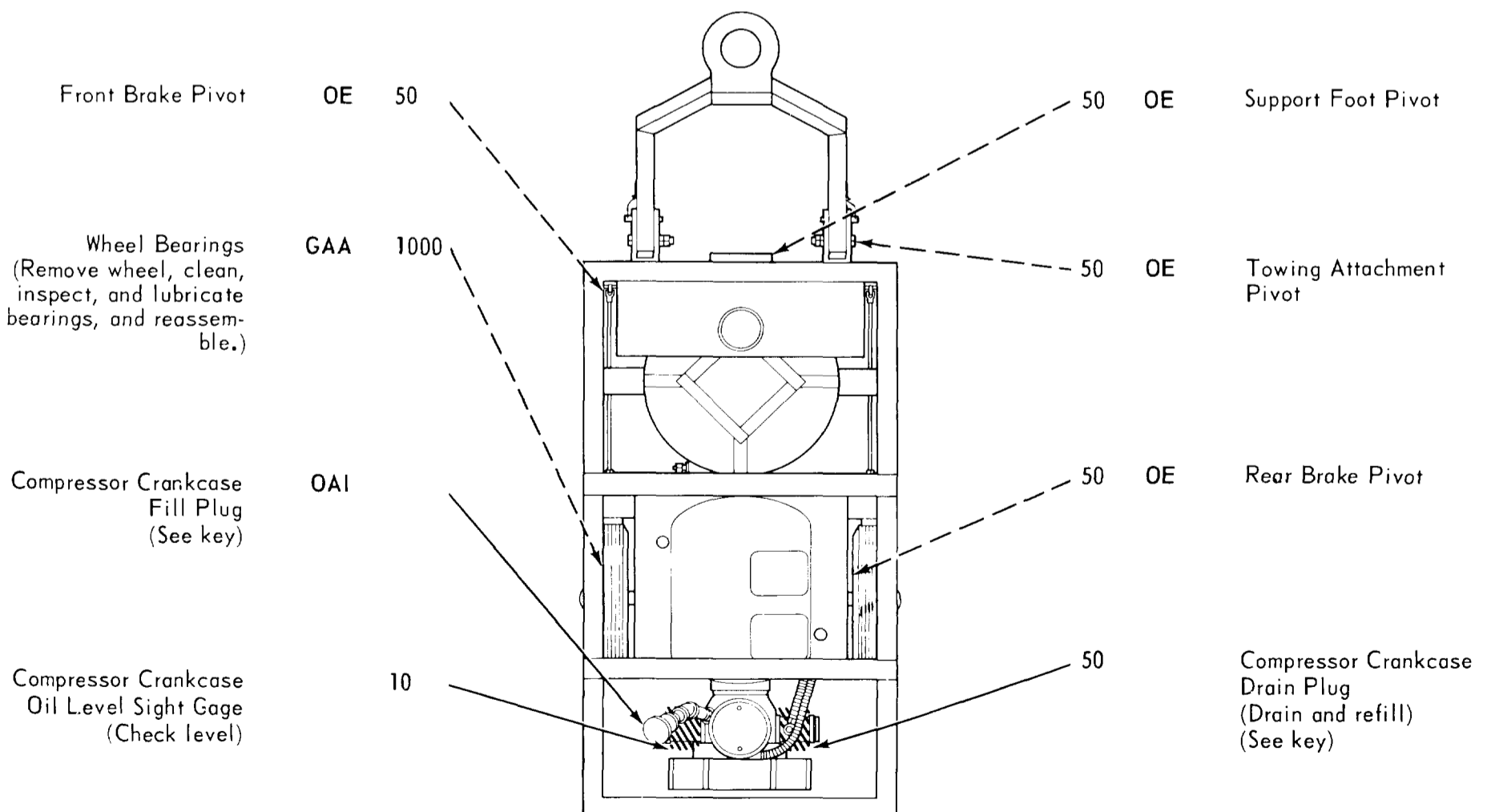
Drain crankcase when hot. Fill and check level.

FOLD

FOLD

LUBRICANT ● INTERVAL

INTERVAL ● LUBRICANT



-KEY-

LUBRICANTS	CAPACITY	ALL TEMPERATURES	INTERVALS
OE-OIL, Engine, Heavy Duty		OE 30	Intervals given are in hours of normal operation.
Oil Can Points			
OAI-LUBRICATING OIL, Instrument		OAI	
Compressor Crankcase	2 pt		
GAA-GREASE Automotive & Artillery		GAA	

NOTE:

1. LUBRICANTS. The following is a list of lubricants with the Military Symbols and applicable Specification numbers.

OE MIL-L-2104            GAA MIL-G-10924  
 OAI MIL-L-6085

2. OIL CAN POINTS. Every 50 hours lubricate brake pivot points, support foot pivot, towing attachment, control linkage and all exposed adjusting threads with OE.

Copy of this Lubrication Order will remain with the equipment at all times; instructions contained herein are mandatory.

BY ORDER OF THE SECRETARY OF THE ARMY:

WILLIAM C. WESTMORELAND  
 General, United States Army,  
 Chief of Staff.

OFFICIAL:

KENNETH G. WICKHAM,  
 Major General, United States Army,  
 The Adjutant General.

FOLD

FOLD